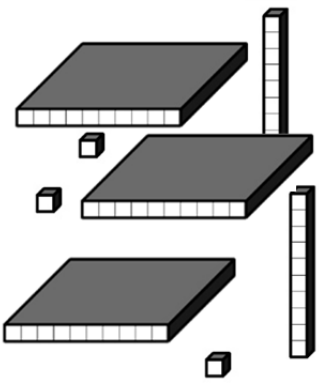
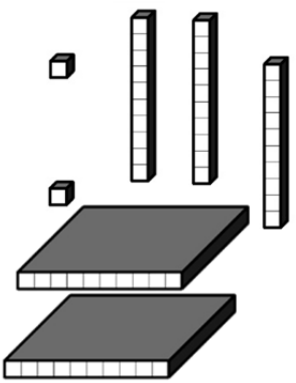
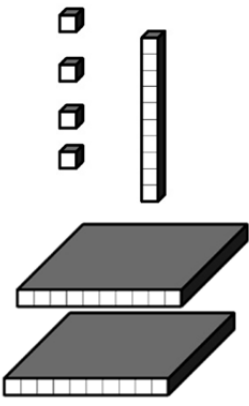
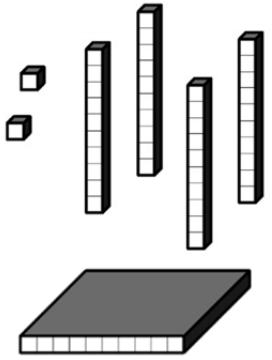
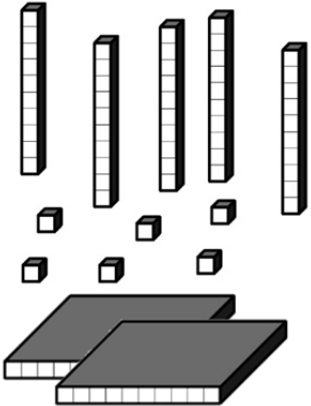
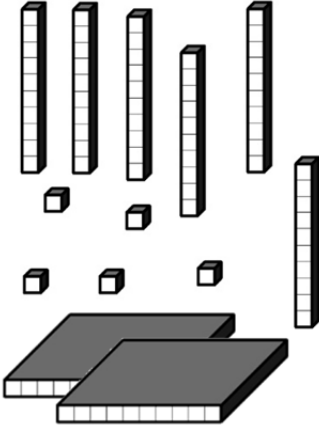
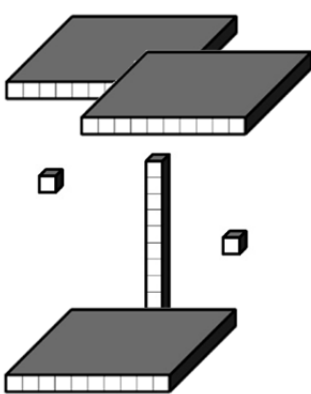
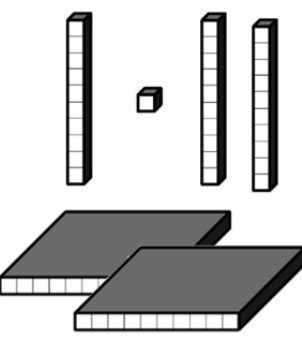


Three-digit matching cards:

The following cards can be used to play snap, memory or fish with.

	323	Three hundred and twenty-three	$20 + 300 + 3$
	232	Two hundred and thirty-two	$200 + 2 + 30$
	214	Two hundred and fourteen	$10 + 4 + 200$

	<p>142</p>	<p>One hundred and forty- two</p>	$100 + 2 + 40$
	<p>256</p>	<p>Two hundred and fifty-six</p>	$50 + 200 + 6$
	<p>265</p>	<p>Two hundred and sixty-five</p>	$200 + 5 + 60$
	<p>312</p>	<p>Three hundred and twelve</p>	$2 + 300 + 10$

	<h1>231</h1>	<p><i>Two hundred and thirty- one</i></p>	$200 + 30 + 1$
$30 + 200 + 1$	$1 + 200 + 30$	$300 + 3 + 20$	$3 + 20 + 300$
$2 + 30 + 200$	$200 + 30 + 2$	$10 + 4 + 200$	$4 + 200 + 10$
$100 + 2 + 40$	$40 + 100 + 2$	$200 + 6 + 50$	$200 + 5 + 60$